

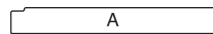
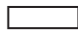
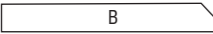

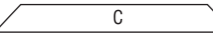


(PART No. 9378155022)

# AIR OUTLET SHUTTER PLATE INSTALLATION MANUAL

- Before installation, be sure to read this manual and follow its instructions.
- Be sure to read and use together with the Operation Instructions of main units included with indoor units.
- To guarantee the safety of operation, when attaching the SHUTTER SHEET and INSULATION CABINET, or installing the DECORATION PANEL or connecting the connector, be sure to cut off the power supply.

## Kit components

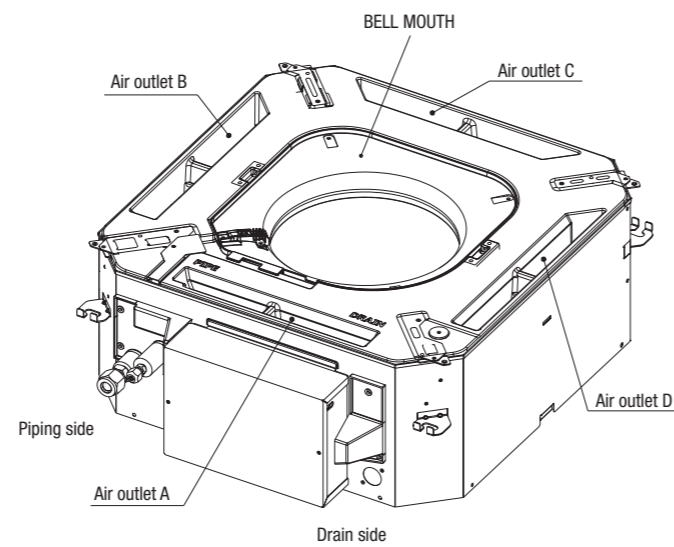
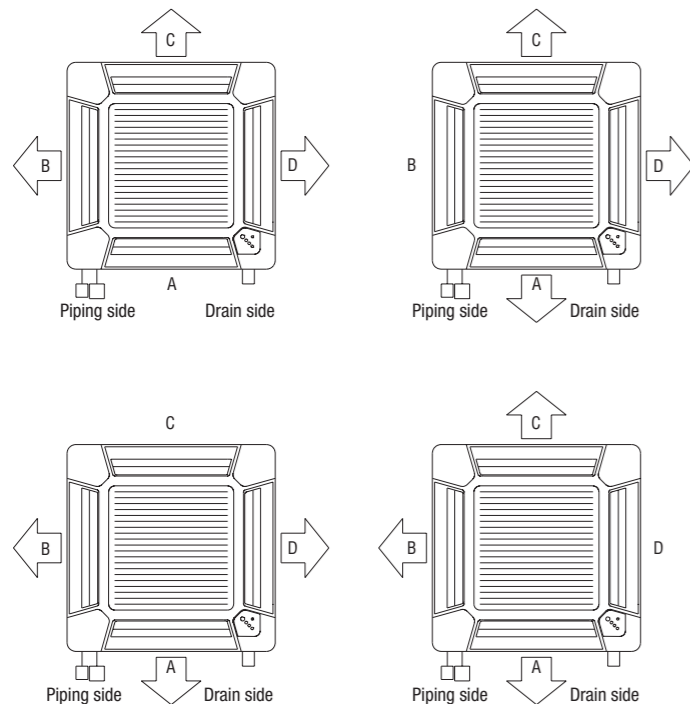
The following parts are included in the kit.

Name and Shape	Q' ty	Name and Shape	Q' ty
AIR OUTLET SHUTTER PLATE A 	1	INSULATION BELL MOUTH 	1
AIR OUTLET SHUTTER PLATE B 	1	INSULATION CABINET (533mm×80mm)  533mm×80mm	2
AIR OUTLET SHUTTER PLATE C 	1		
AIR OUTLET SHUTTER PLATE D 	1		
SHUTTER SHEET 	1		

## ① Select air blow direction and attach the SHUTTER SHEET

### (1) Select air blow direction

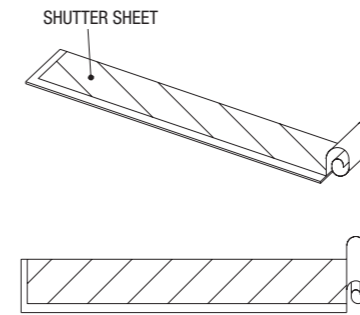
- Please select the air blow direction as shown in the following figure, according to the specific installation position.
- Do not seal two or more air outlets.
- The air blow direction can be selected only within the range in the figure shown below. (Otherwise, it may condense.)



### (2) With reference to the sealed air outlet as shown in figure A to D, process the AIR OUTLET SHUTTER PLATE and SHUTTER SHEET.

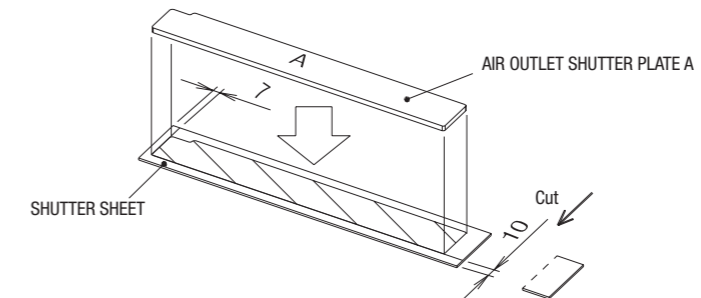
<How to process the AIR OUTLET SHUTTER PLATE and SHUTTER SHEET>

[Step 1] Peel off the removable paper of the SHUTTER SHEET

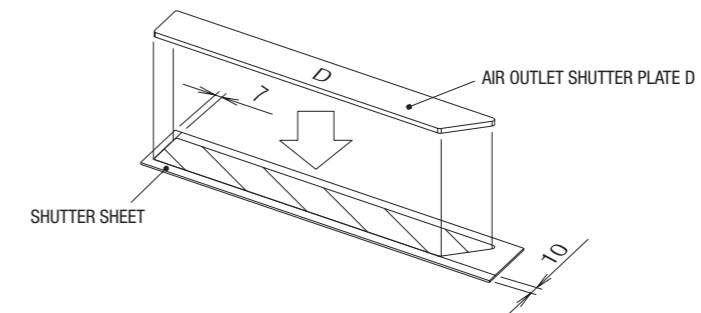
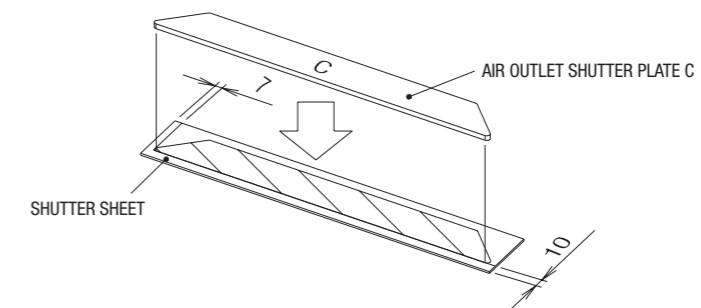
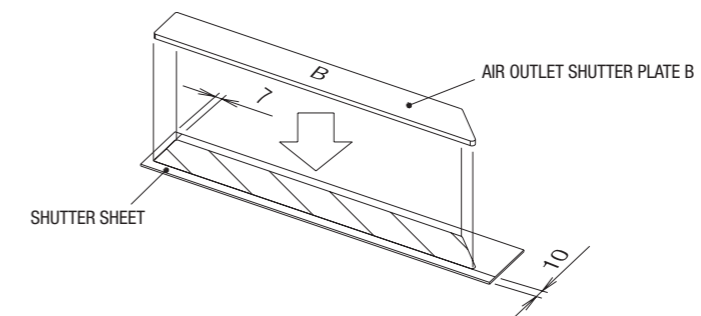


[Step 2] Attach the AIR OUTLET SHUTTER PLATE onto the SHUTTER SHEET.

- As shown in the figure below, attach the AIR OUTLET SHUTTER PLATE.
- When pasting, be sure to pay attention to the direction of AIR OUTLET SHUTTER PLATE. When attaching the SHUTTER SHEET, be sure to indicate the mark of enclosed air outlet.

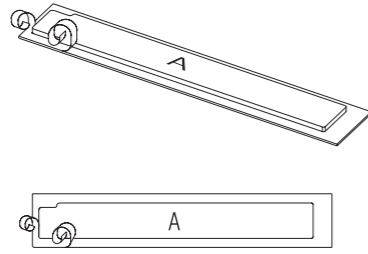


When enclosing air outlet A, the SHUTTER SHEET needs to be processed. Cut along the eyelet (-- position) of the SHUTTER SHEET.



**[Step 3] Peel off the removable paper of the SHUTTER SHEET**

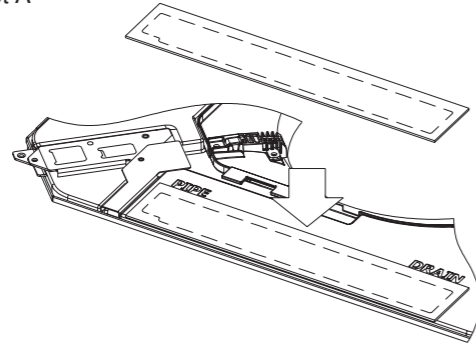
[Example] at Air outlet A



<When attaching at air outlet>

**[Step 4] Attach the SHUTTER SHEET processed in [Step 3] onto the air outlet of indoor units.**

[Example] at Air outlet A



**② Attaching INSULATION CABINET**

(1) As shown in the Fig.1, 2 and Fig.3, attach the INSULATION CABINET.

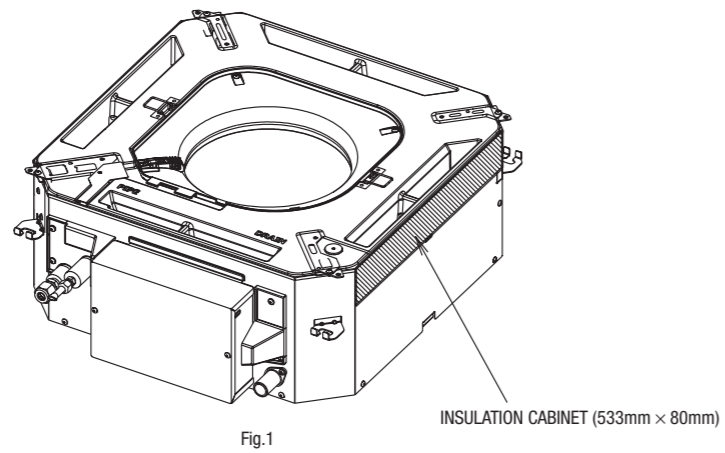


Fig.1

INSULATION CABINET (533mm x 80mm)

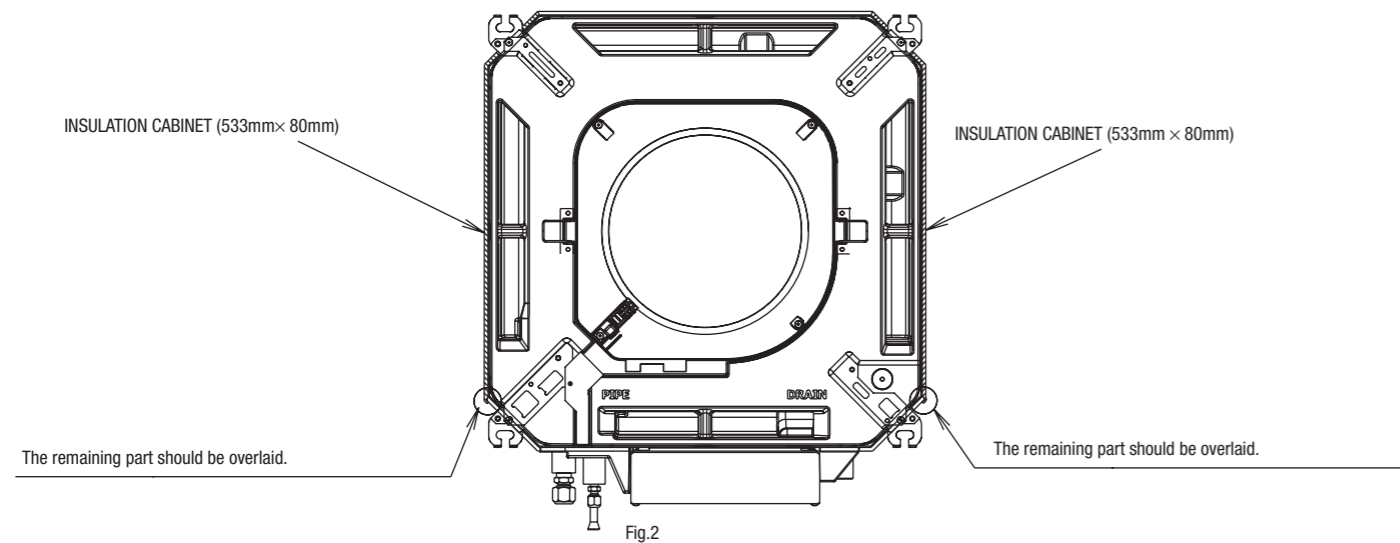


Fig.2

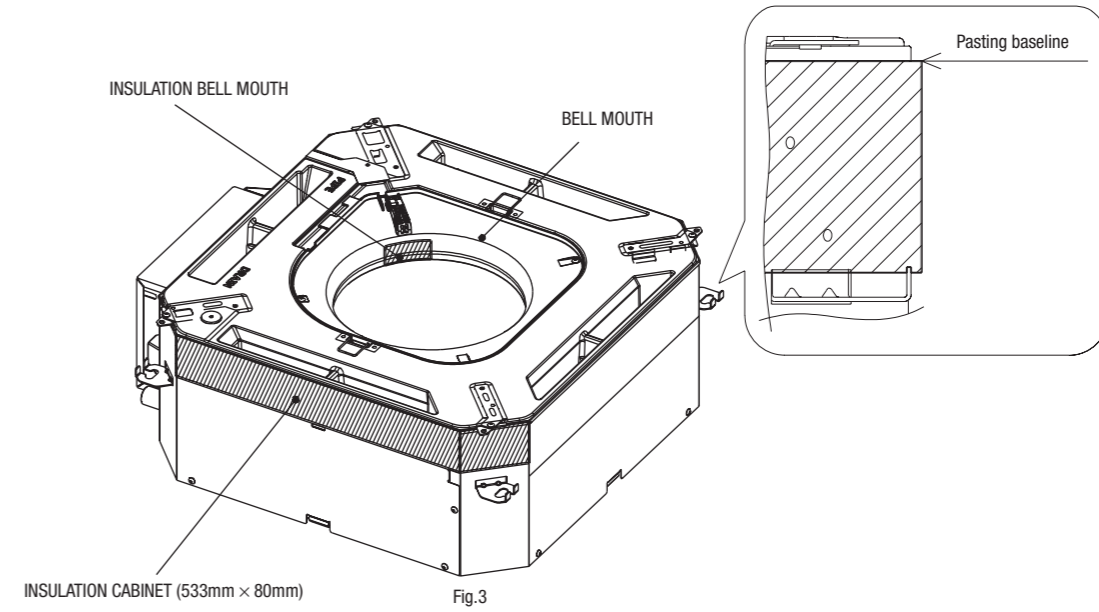


Fig.3

(2) At air outlet B, attach the INSULATION BELLMOUTH onto the bell mouth as shown in Fig.4 and Fig.5.

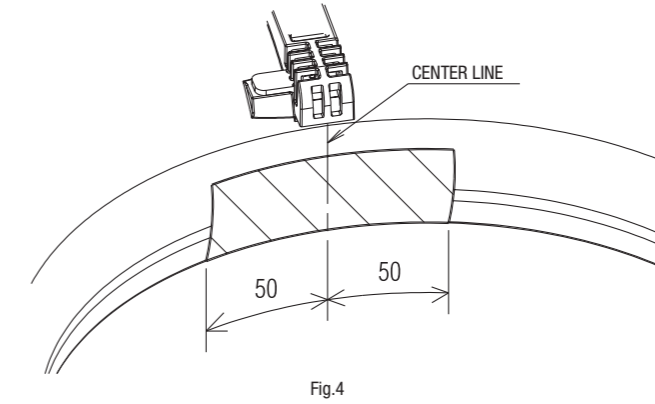


Fig.4

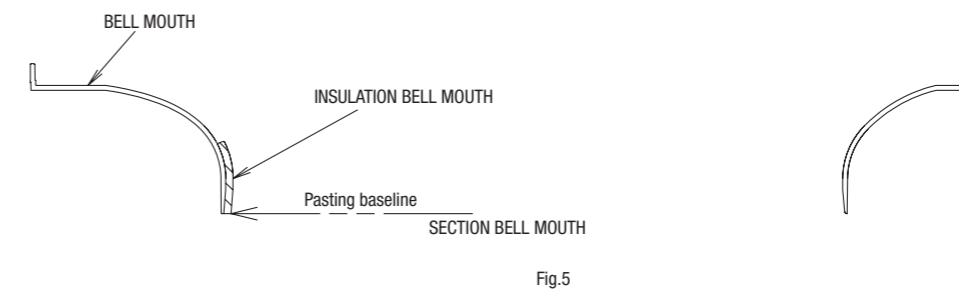


Fig.5

**③ Field setting**

During field setting, be sure to set with remote controller according to the on-site installation status of indoor units. Be sure to set according to the INSTALLATION INSTRUCTION SHEET (FUNCTION SETTING) included with indoor units.